

'H' unit

flushing valve



LanTen 
metering services

In partnership with:

altecnic

'H' unit flushing valve



Application

The Altecnic 'H' unit flushing valve diverts the flow from the Heat Interface Unit (HIU) through the bypass when flushing the main heating system.

The unit fits between the SAT K20, SAT K30 or SATK 40 HIU's flow and return pipes to the main heating plant for the building.

The 'H' unit fits into the two isolating ball valves supplied as part of the HIU, connecting the HIU with the main heating system and to isolate the HIU from it when required.

The 'H' unit flushing valve allows water from the main heating system to flow into and from the HIU or diverts it down the bypass during system flushing.

Design

The diverting valve incorporates a 3 way ball valves with a special 'T' ported plug, the port position indicated on the end of the operating stem.

The connections to the two ball isolation valves supplied with the HIUs are parallel male union connections for ease of assemble.

The connections from the 'H' unit are parallel male threads and a flat faced joint with integral 'O' ring makes connecting to a union type joint easy.

Threaded connections complying with BS EN ISO 228-1.

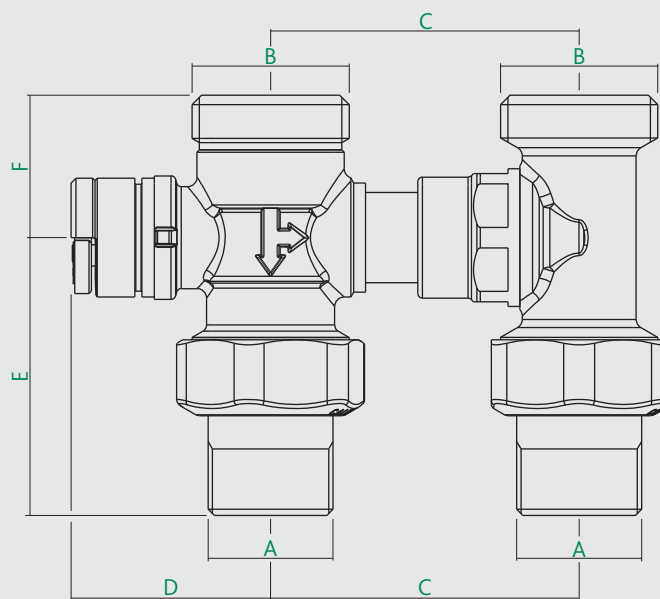
Construction Details

Component	Material	Grade
Body	Brass	BS EN 12420 CW617N
Bypass connector	Brass	BS EN 12164 CW614N
Ball	Brass - chrome plated	BS EN 12164 CW614N
Ball seat	PTFE	
Stem	Brass	BS EN 12164 CW614N
Union nuts	Brass	BS EN 12164 CW614N
Seals	EPDM	

Technical Specification

Maximum Temperature:	85°C
Maximum Pressure:	10 bar

Dimensions

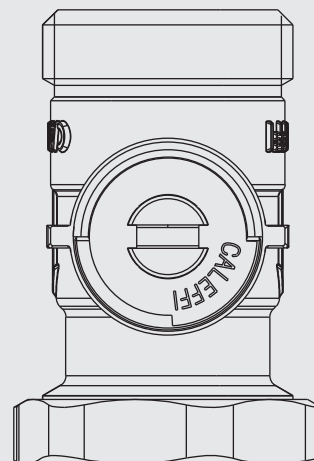


Prod Code	A	B	C	D	E	F
	G¾B	G1B	65	42	58.5	30

Port Positions

End view showing valve in bypass position with slot horizontal.

For straight through flow the slot should be vertical.



E & O.E

Lanten Metering Services Ltd
 Units J & K Maybrook Industrial Estate
 Maybrook Road, Brownhills, Birmingham
 West Midlands. WS8 7DG
 Tel: 08454 707222 Fax: 08444 774797
 Email: sales@lantenltd.com www.lantenltd.com

LanTen 
 metering services